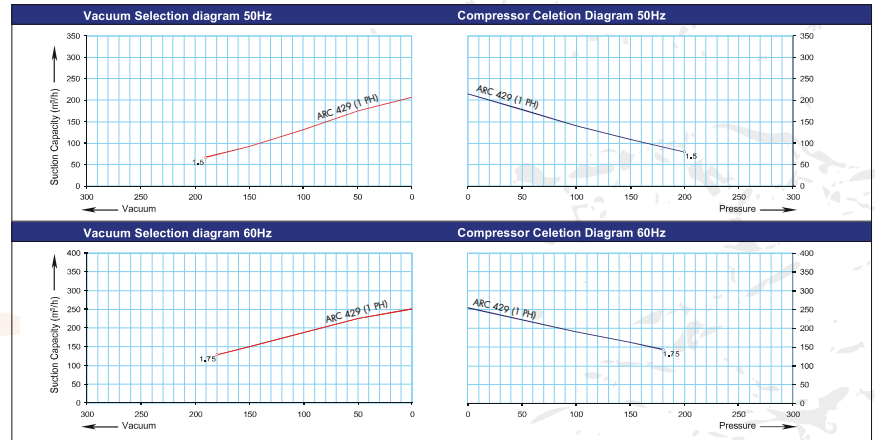


Ring Blower ARC 429 & 529



ARC 429

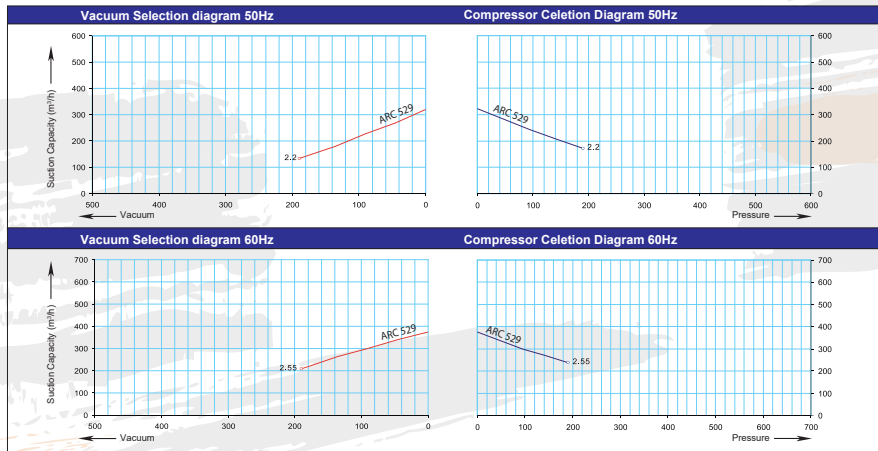
The performance curves are valid for pumping air at 15°C at the inlet flanges with an air pressure of 1.013mbar and a tolerance of 10%. The total pressure differences are valid up to an intake and ambient temperature of 25°C



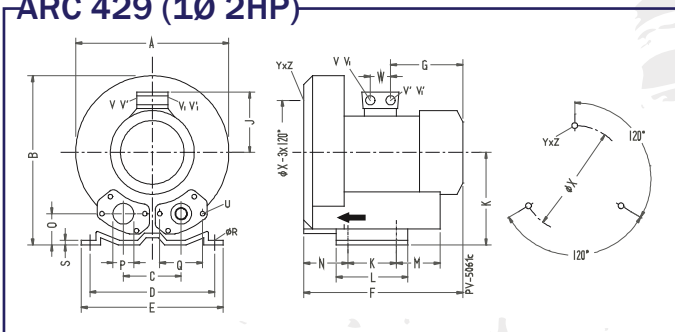
ARC 529



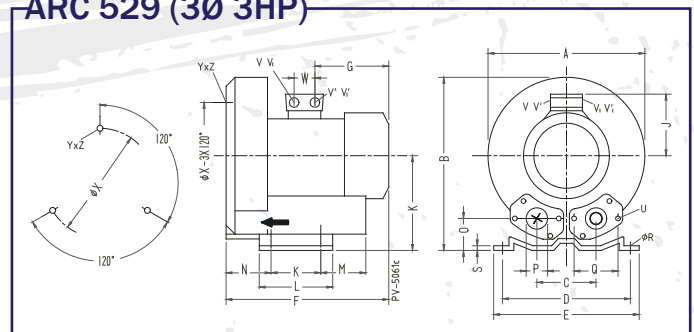
The performance curves are valid for pumping air at 15°C at the inlet flanges with an air pressure of 1.013mbar and a tolerance of 10%. The total pressure differences are valid up to an intake and ambient temperature of 25°C



ARC 429 (1Ø 2HP)



ARC 529 (3Ø 3HP)



Order No. available ex stock	Frequency	MOTOR rated			Weight approx.	Sound- pressure	Maximum airflow	Maximum vacuum	Maximum pressure	Vacuum relief valve
		output	voltage	current						Items x type
	HZ	KW	V	A	kg	dB(A)	m³/h	mbar	mbar	
ARC 429 (1PH)	50	1.50	230	9	24	64	210	-190	200	1x2Bx2110 /...2145
	60	1.75	230	10		70	255	-180	180	1x2Bx2110 /...2146
ARC 529	50	2.20	200-240 Δ / 345-415	9.7 Δ / 5.6Y	30	69	318	-190	190	1x...2110 / ...2145
	60	2.55	220-275 Δ / 380-480	10.3 Δ / 6.0Y		72	376	-190	190	1x...2114 / ...2146

Type	Phases	A	B	C	D	E	F	G	H	J	K	L	M	N	O	ØP	Q	ØR	S	U	V1(-)	V1(+)	V10(-)	V10(+)	YxZ	X-Holes	ØX	W
ARC 429(1PH)	1~	334	337	120	260	295	345	191	175	128	115	155	96	87	48	55	83	14	4	M8x17	M16x1.5	M25x1.5	-	-	M8x20	Ø7/120°/240°	200	29
ARC 529	3~	382	384	125	290	325	377	191	197	128	140	180	84	109	54	55	83	15	4.5	M8x17	-	-	-	-	M10x20	Ø7/120°/240°	240	29



